

STERIL-AIRE®

UVC for HVAC™

AHU Viewport Assembly For up to 3" (7.6 cm) Wall / Panel

AHU Viewport Assembly For up to 3" (7.6 cm) Wall / Panel



The Steril-Aire AHU Viewport Assembly provides a safe, effective means to view working UVC Emitters™ inside an air handling unit (AHU). The AHU Viewport Assembly provides installation flexibility for AHU wall/panel thickness up to 3" (7.6 cm). It provides the ability to view the interior of the AHU through a 4" x 2-5/8" (10.2 cm x 6.7 cm) clear safety glass without the need to open access panels/doors or disconnecting circuits while offering personnel protection against exposure to UVC light.

Applications

The AHU Viewport Assembly provides an observation window to view the interior of medium and large AHUs. This Viewport Assembly height and width are fixed and the depth is expandable to accommodate AHU wall/panel thickness up to 3" (7.6 cm).

Benefits

- Expandable design, up to 3" (7.6 cm) AHU wall/panel thickness
- Allows for viewing of AHU interior and Steril-Aire UVC Emitters without opening access doors/panels
- 4" x 2-5/8" (10.2 cm x 6.7 cm) clear safety glass observation window

Special Characteristics

- 4" x 2-5/8" (10.2 cm x 6.7 cm) viewport
- 2 layers of 1/4" laminated safety glass permanently sealed with silicone
- 2 layers of precision stamped, hot-dipped galvanized steel
- Tested to 20" W.G. with no leakage
- Tested to negative 10" W.G. with no leakage
- Easy to install
- Solid, leakproof construction
- Self adhesive template for quick, easy installation

AHU Viewport Assembly Specifications

The AHU Viewport Assembly shall be factory assembled and tested. The AHU Viewport Assembly shall consist of the following:

PANELS: Two layers of precision stamped, hot-dipped galvanized steel. Pressure Limit: Negative 10" – Positive 20" W.G. with no leakage noted.

GASKET Closed cell neoprene gasket is UL94HF1 listed with a service temperature range of (ASTM D 746) -20°F to 200°F (-29°C to 93°C). The gasket is permanently bonded to the inside panel to eliminate leakage.

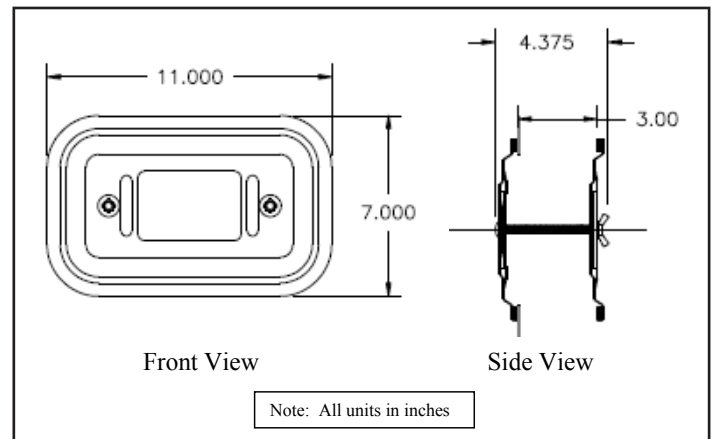
WINGNUTS: Metal wingnuts.

BOLTS: Zinc plated carriage bolts are clinched and sealed to the outer viewport.

GLASS: Safety glass 4" x 2-5/8" x 1/4" (10.2 cm x 6.7 cm x .6 cm) is permanently sealed with silicone.

CLIPS: Hot-dipped galvanized steel clips mechanically fasten the safety glass in place.

TEMPLATE: Self adhesive template is provided for the exact size of duct opening required.



Ordering Information

Description	Part Number
AHU Viewport Assembly - For up to 3" (7.6 cm) Wall/Panel	90000227

STERIL-AIRE®

Steril-Aire, Inc.

Corporate Office:

2840 N. Lima Street
Burbank, CA 91504
Telephone: 818-565-1128
Fax: 818-565-1129

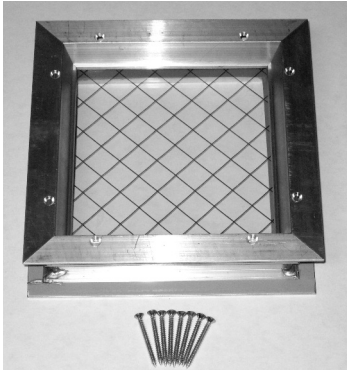
Website: www.steril-aire.com
Email: sales@steril-aire.com

STERIL-AIRE®

UVC for HVAC™

AHU Viewport For 2" (5.1 cm) Wall/Panel

AHU Viewport For 2" (5.1 cm) Wall/Panel



The Steril-Aire AHU Viewport provides a safe, effective means to view working UVC Emitters™ inside an air handling unit (AHU). The AHU Viewport provides installation flexibility for AHU insulated walls of 2" (5.1 cm). It provides the ability to view the interior of the AHU through a 6" x 6" (15.2 cm x 15.2 cm) clear wire glass without the need to open access panels/doors or disconnecting circuits while offering personnel protection against exposure to UVC light.

Applications

The Viewport provides an observation window to view the interior of medium and large AHUs. For use in air handling unit insulated wall/panels of 2" (5.1 cm).

Benefits

- Allows for viewing of AHU interior and Steril-Aire UVC Emitters without opening access doors/panels
- Quick, easy installation
- Large 6" x 6" (15.2 cm x 15.2 cm) wire glass observation window

Special Characteristics

- 6" x 6" viewport
- Clear wire glass
- Aluminum frame of 6063-T5 alloy tempered to an UTS of 22 ksi and YS of 16 ksi
- Framing and screws made of noncorrosive materials
- Free from defects impairing strength and/or durability
- Easy to install

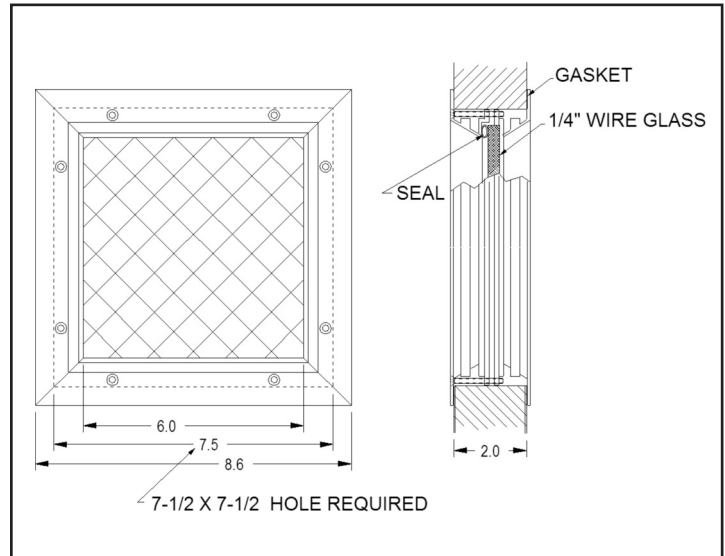
AHU Viewport Specifications

The AHU Viewport shall be factory assembled and tested. The AHU Viewport shall consist of the following:

PANELS: Two layers of aluminum framing with 8 pre-drilled screw holes and 8 screws

GASKET: Adhesive gasket tape on framing perimeter

GLASS: Wire glass 6" x 6" x 1/4" (15.2 cm x 15.2 cm x .6 cm)



Ordering Information

Description	Part Number
AHU Viewport - For 2" (5.1 cm) Wall/Panel	90000217

STERIL-AIRE®

Steril-Aire, Inc.

Corporate Office:

2840 N. Lima Street
Burbank, CA 91504
Telephone: 818-565-1128
Fax: 818-565-1129

Website: www.steril-aire.com
Email: sales@steril-aire.com